



**Dunbarton**  
CORPORATION

868 MURRAY ROAD, DOTHAN, AL 36303

**"REDIFRAME PD"  
HOLLOW METAL FRAME  
IN SWING/OUT SWING  
"IMPACT"**

GENERAL NOTES

1. This product has been evaluated and is in compliance with the 7th Edition (2020) Florida Building Code (FBC) structural requirements including the "High Velocity Hurricane Zone" (HVHZ).
2. Product anchors shall be as listed and spaced as shown on details. Anchor embedment to base material shall be beyond wall dressing or stucco.
3. When used in the "HVHZ", this product complies with Section 1626 of the Florida Building Code and does not require an impact resistant covering.
4. Site conditions that deviate from the details of this drawing require further engineering analysis by a licensed engineer or registered architect.
6. This product does not meet the water infiltration requirements for the "HVHZ" and shall be installed only in non-habitable areas or at habitable locations protected by an overhang or canopy such that the angle between the edge of canopy or overhang to sill is less than 45 degrees.
7. When used in the "HVHZ", steel must be protected as specified in FBC Section 2222.6

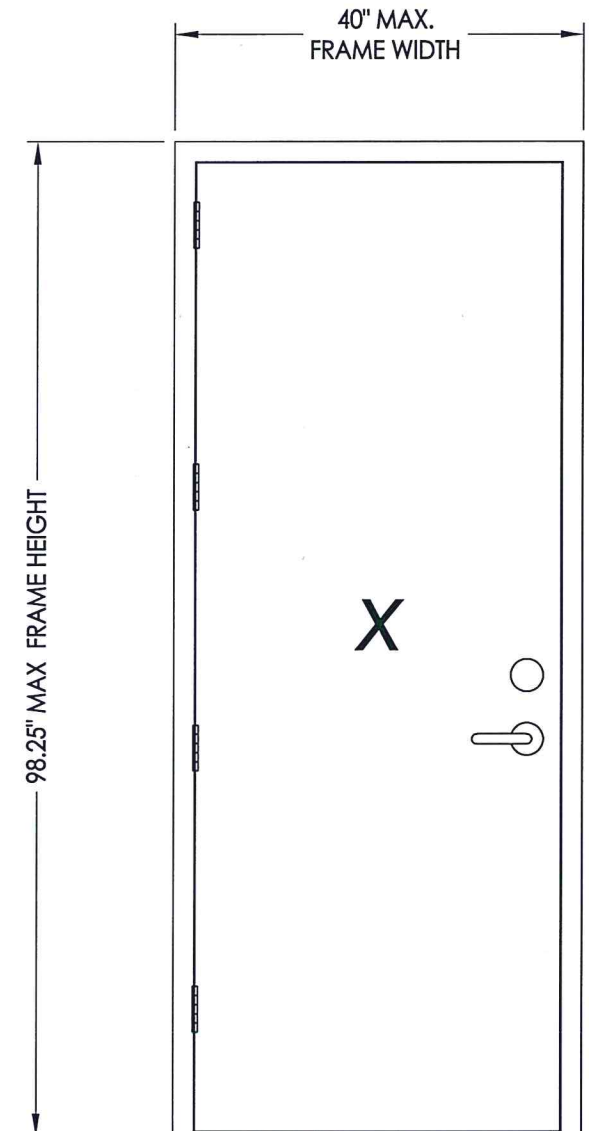
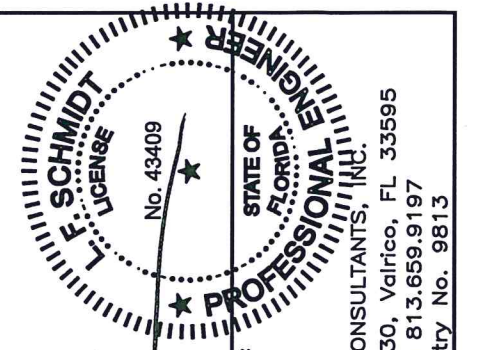


TABLE OF CONTENTS	
SHEET #	DESCRIPTION
1	Typical elevations, design pressures, & general notes
2	Door panel details
3	Door panel details
4	Elevations & vertical cross sections
5	Horizontal cross sections
6	Frame anchoring
7	Bill of materials & components

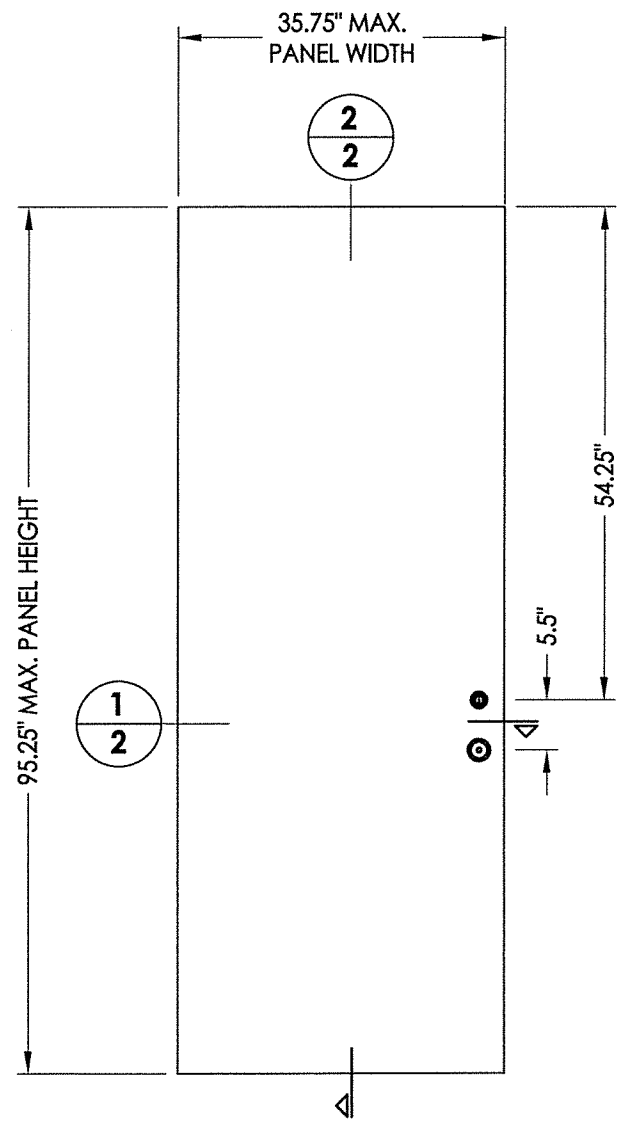
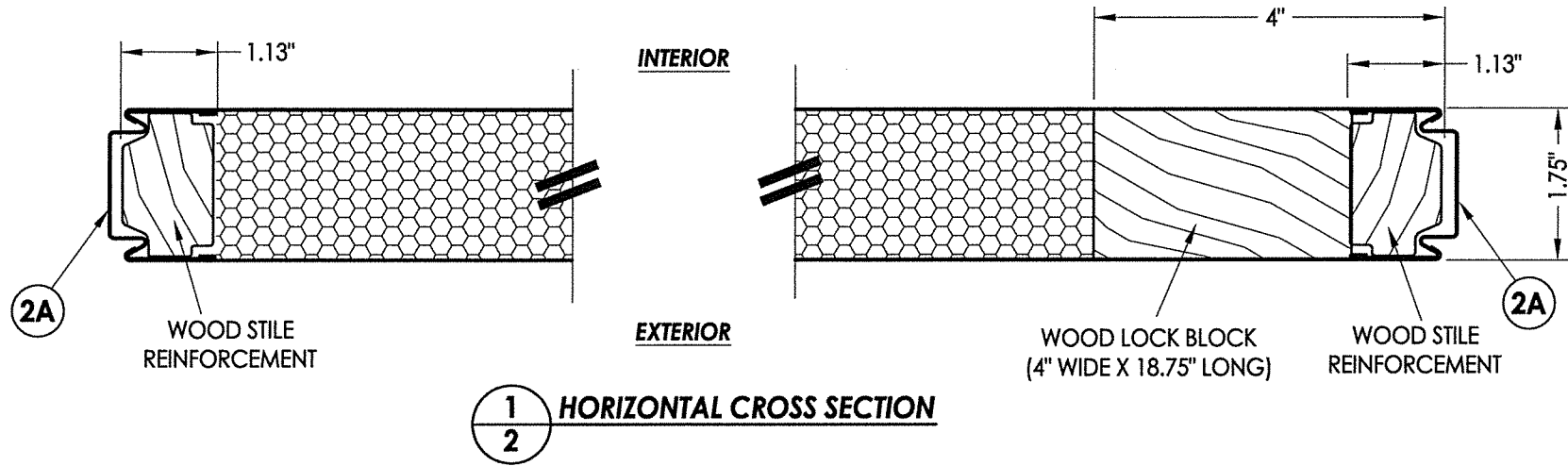
MAX. OVERALL DIMENSION	DESIGN PRESSURE (PSF) INSWING		DESIGN PRESSURE (PSF) OUTSWING	
	POSITIVE	NEGATIVE	POSITIVE	NEGATIVE
40.0" X 98.25"	+55.0	-55.0	+55.0	-55.0



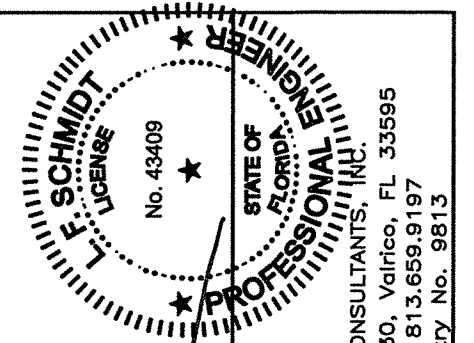
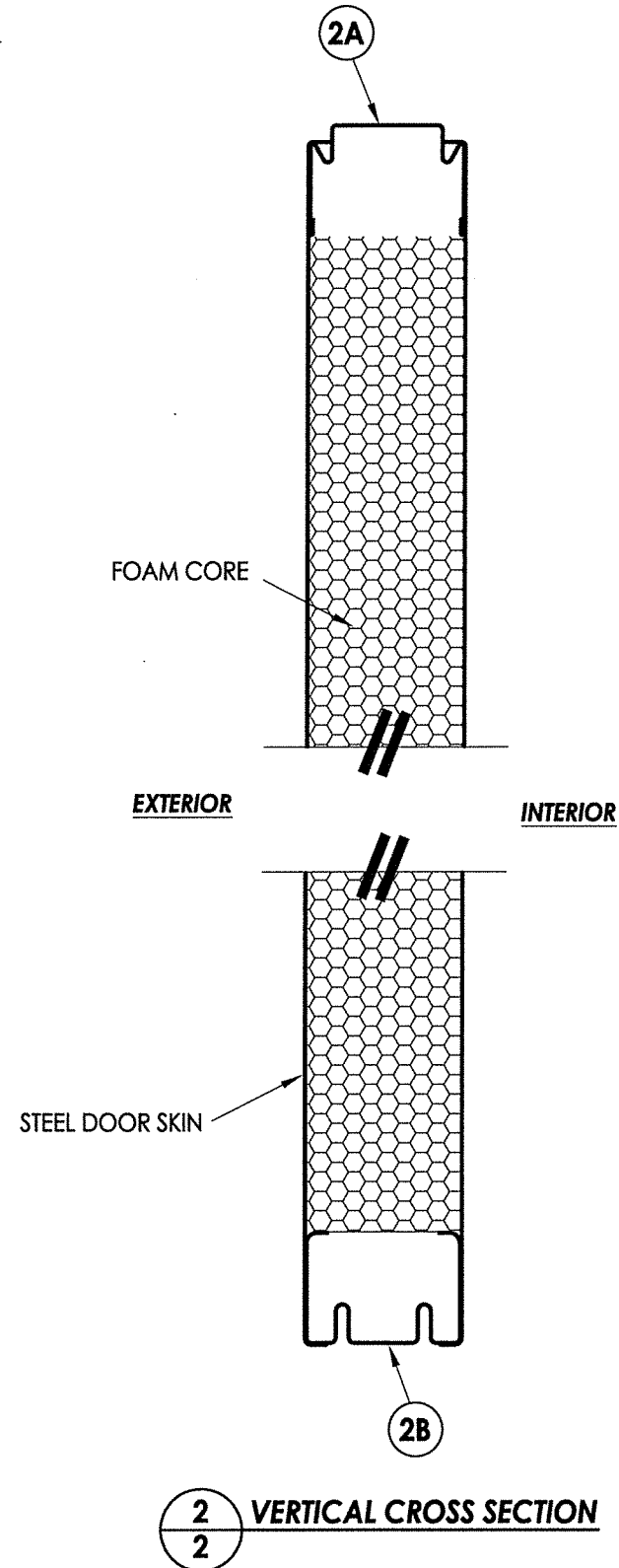
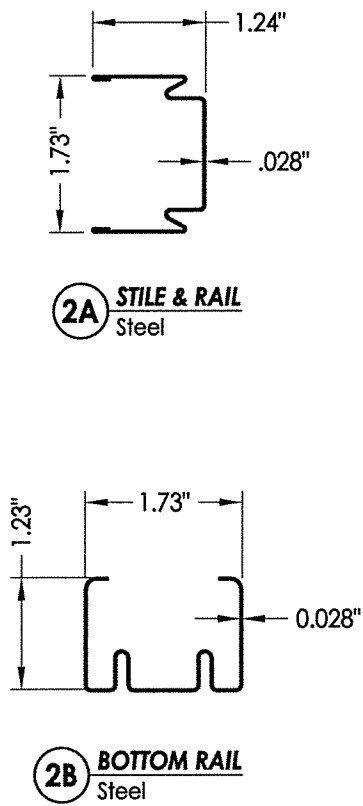
November 4, 2020  
 Documents Prepared By:  
 Lyndon F. Schmidt  
 P.E. No. 43409  
 R.W. BUILDING CONSULTANTS, INC.  
 P.O. Box 230, Valrico, FL 33595  
 Phone No.: 813.659.9197  
 FBPE Registry No. 9813

PRODUCT:	DUNBARTON
PART OR ASSEMBLY:	TYPICAL ELEVATIONS, DESIGN PRESSURES & GENERAL NOTES
DATE:	10/13/20
SCALE:	N.T.S.
DWG. BY:	RW
CHK. BY:	LFS
DRAWING NO.:	FL-9231.6
SHEET	1 OF 7

R:\Clients\Dunbarton Permanent\A - Florida Product Approvals\FL-9231 - Swinging Ext Doors - Rediframe PD\C - Drawings\FL 9231 (2020)\FL-9231.6.dwg, 2.3



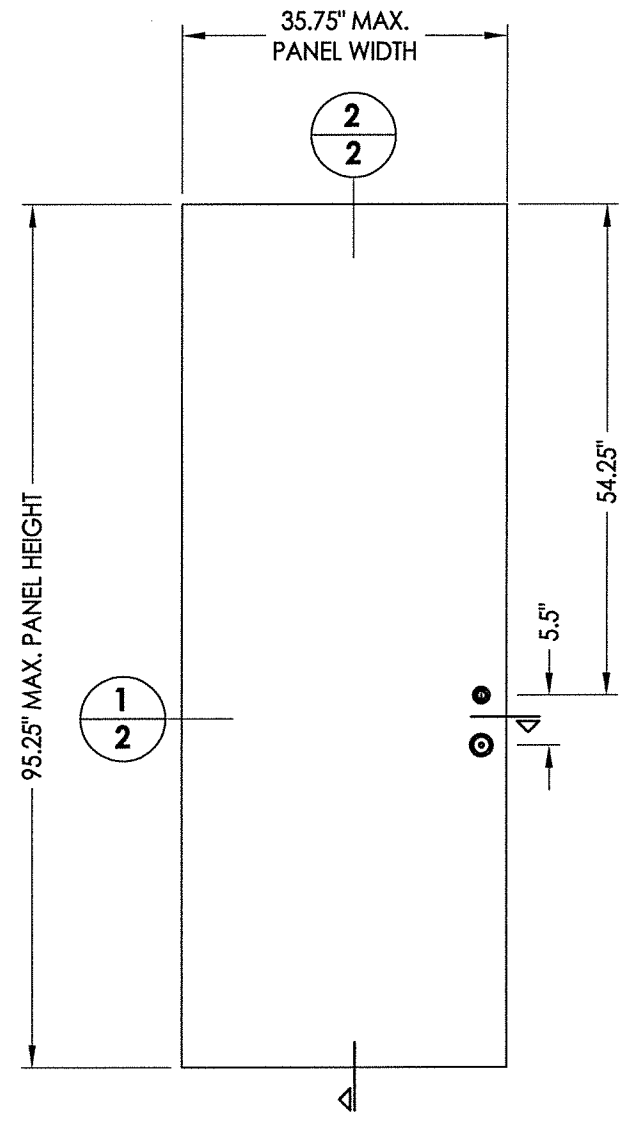
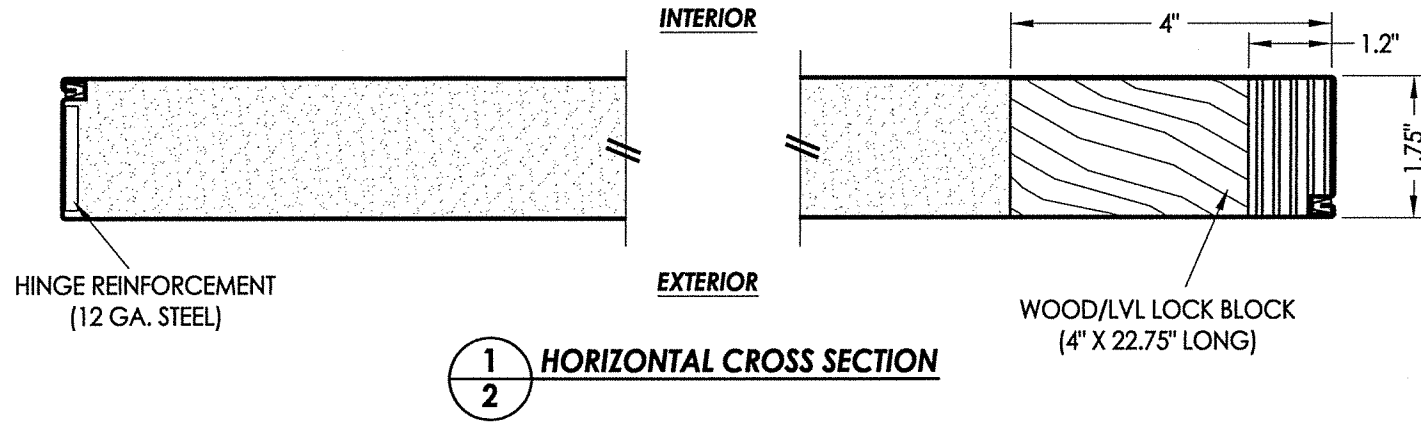
DOOR SKIN: 0.022" MIN. THK. GALV. STEEL (Fy = 31,300 PSI MIN.)  
FOAM CORE: POLYSTYRENE



November 4, 2020  
Documents Prepared By:  
Lyndon F. Schmidt  
P.E. No. 43409

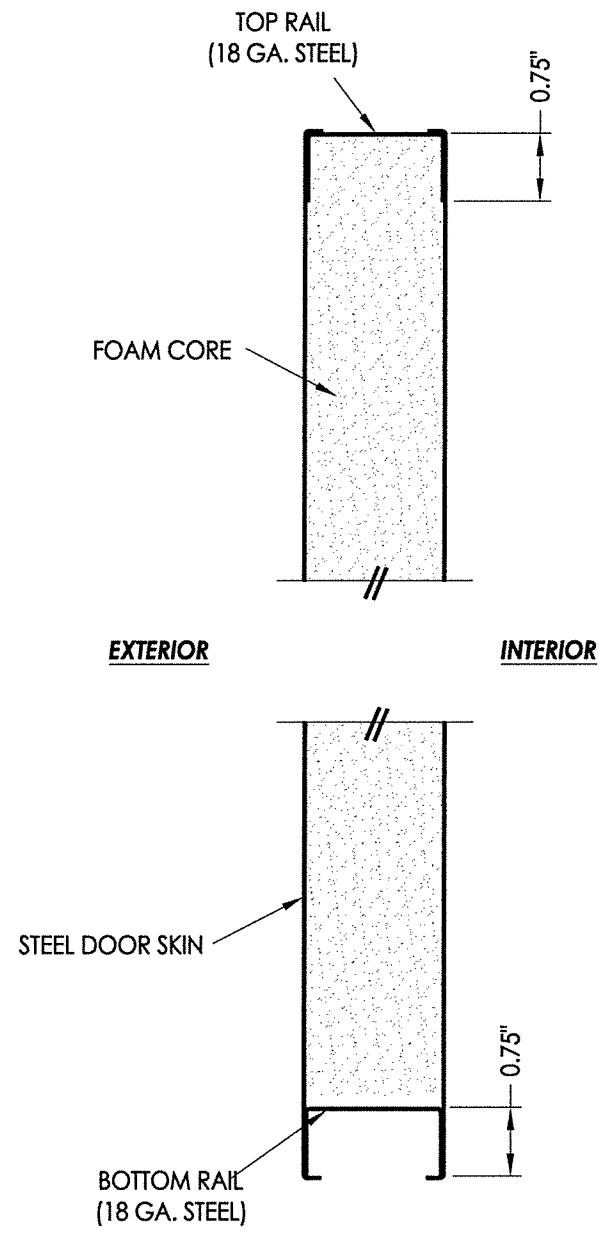
**RW** BUILDING CONSULTANTS, INC.  
P.O. Box 230, Valrico, FL 33595  
Phone No.: 813.659.9197  
FBPE Registry No. 9813

PRODUCT: DUNBARTON	
PART OR ASSEMBLY: DOOR PANEL DETAILS	
NO.	DATE
BY	REVISIONS
DATE: 10/13/20	
SCALE: N.T.S.	
DWG. BY: RW	
CHK. BY: LFS	
DRAWING NO.: FL-9231.6	
SHEET 2 OF 7	

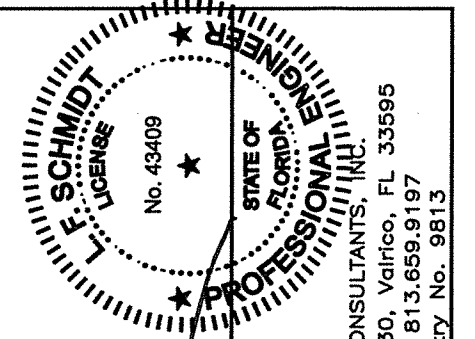


**41** 8'-0" STEEL DOOR PANEL  
Masonite

DOOR SKIN: 0.022" MIN. THK. GALV. STEEL (Fy = 34,800 PSI MIN.)  
CORE MATERIAL: POLYURETHANE CORE

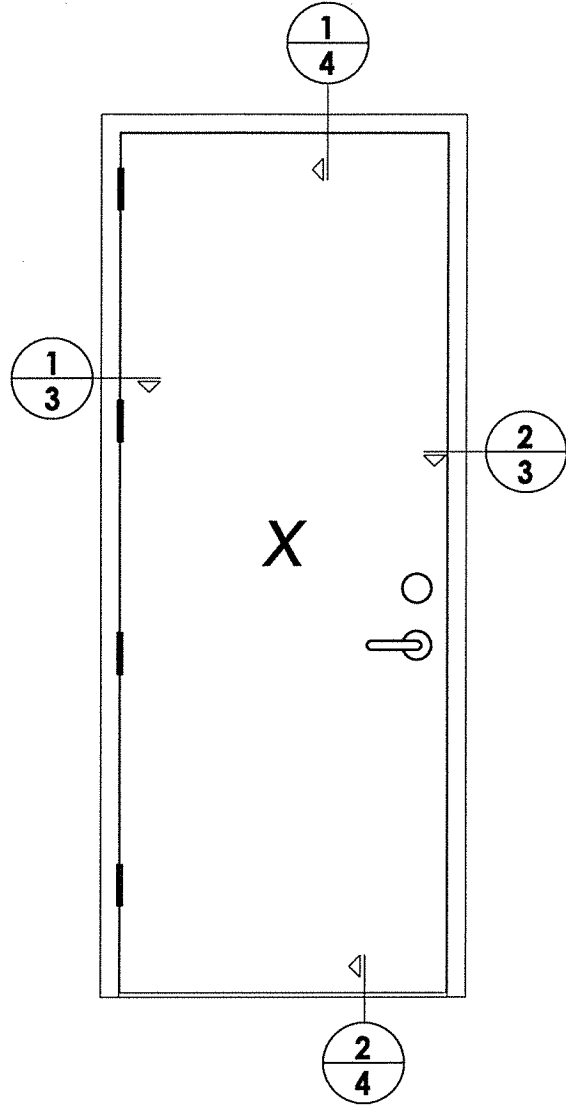


**2** VERTICAL CROSS SECTION  
**2**

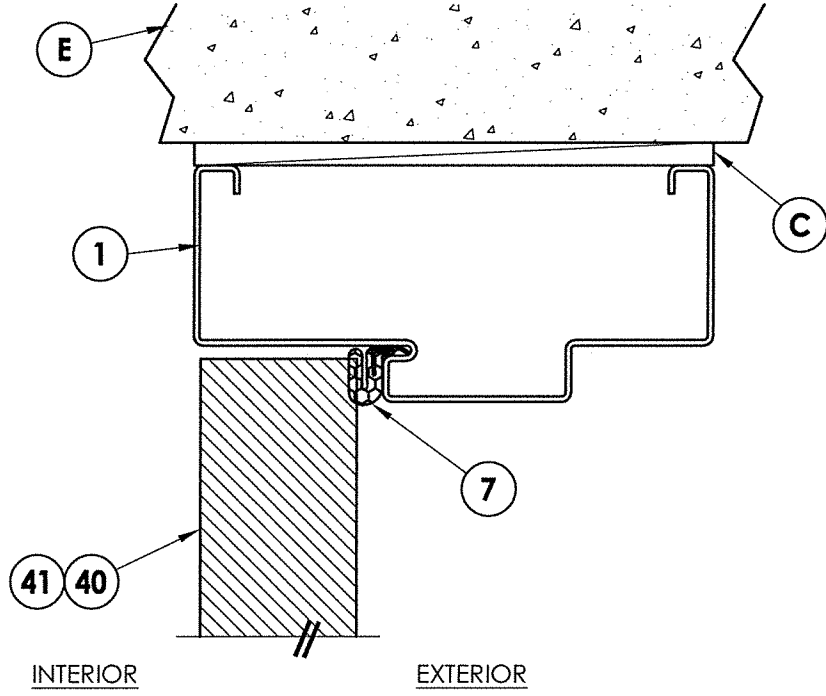


November 4, 2020  
 Documents Prepared By:  
 Lyndon F. Schmidt  
 P.E. No. 43409  
 RW BUILDING CONSULTANTS, INC.  
 P.O. Box 230, Valrico, FL 33595  
 Phone No.: 813.659.9197  
 FBPE Registry No. 9813

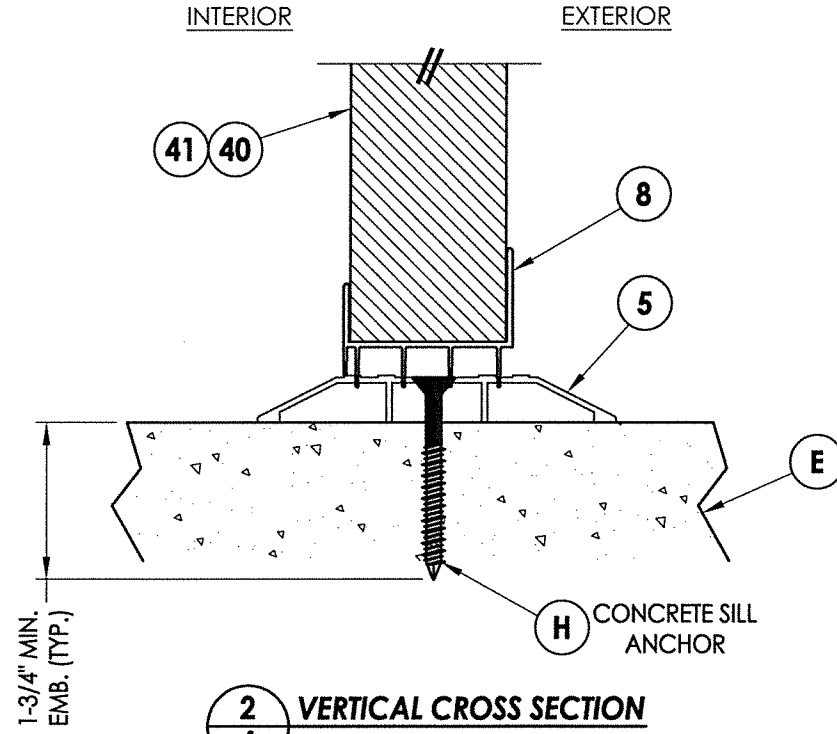
PRODUCT:		DUNBARTON
PART OR ASSEMBLY:		DOOR PANEL DETAILS
NO.	DATE	BY
REVISIONS		
DATE: 10/13/20		
SCALE: N.T.S.		
DWG. BY: RW		
CHK. BY: LFS		
DRAWING NO.: FL-9231.6		
SHEET 3 of 7		



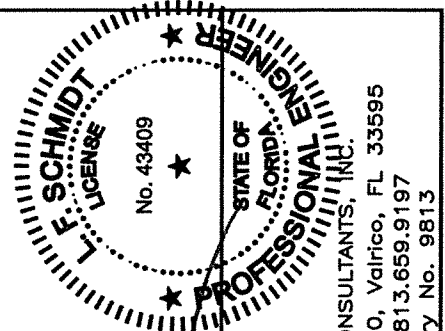
LOCK HARDWARE	
LATCH:	SCHLAGE (J10SOL)
DEADBOLT:	KWIKSET SIGNATURE SERIES (780)



**1** **VERTICAL CROSS SECTION**  
**4** Inswing Shown (Outswing Similar)



**2** **VERTICAL CROSS SECTION**  
**4**



*EFS*

November 4, 2020

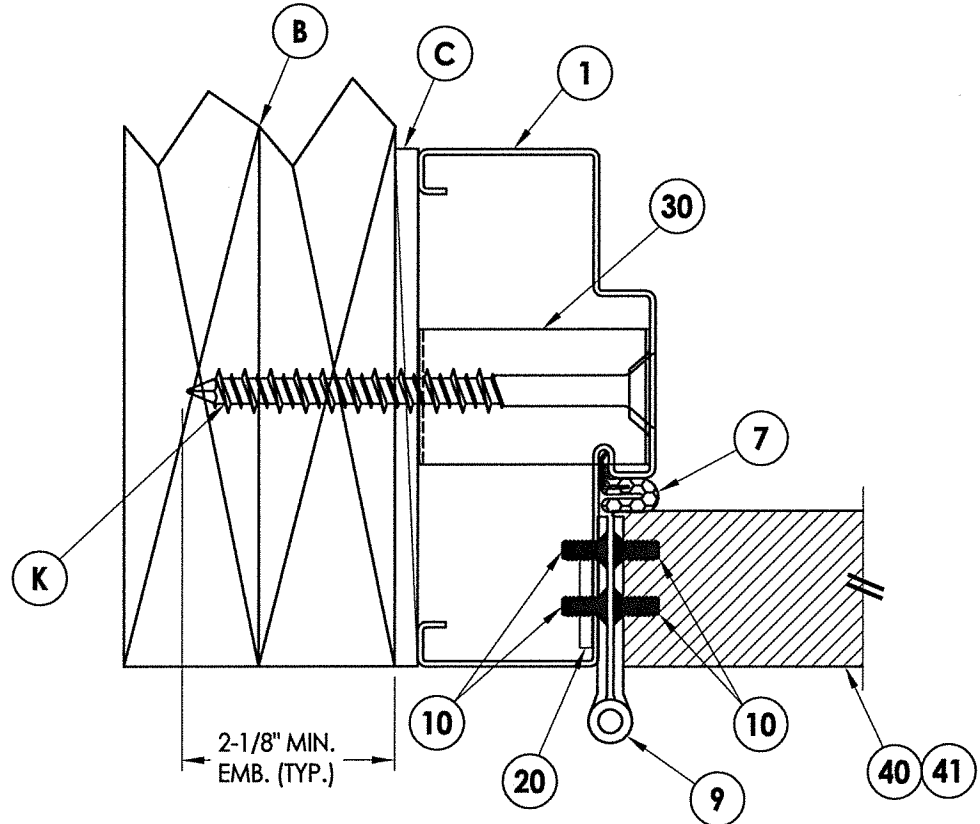
Documents Prepared By:  
 Lyndon F. Schmidt  
 P.E. No. 43409

**RW** BUILDING CONSULTANTS, INC.  
 P.O. Box 230, Valrico, FL 33595  
 Phone No.: 813.659.9197  
 FBPE Registry No. 9813

PRODUCT:	DUNBARTON
PART OR ASSEMBLY:	ELEVATION & VERTICAL CROSS SECTIONS

NO.	DATE	BY	REVISIONS

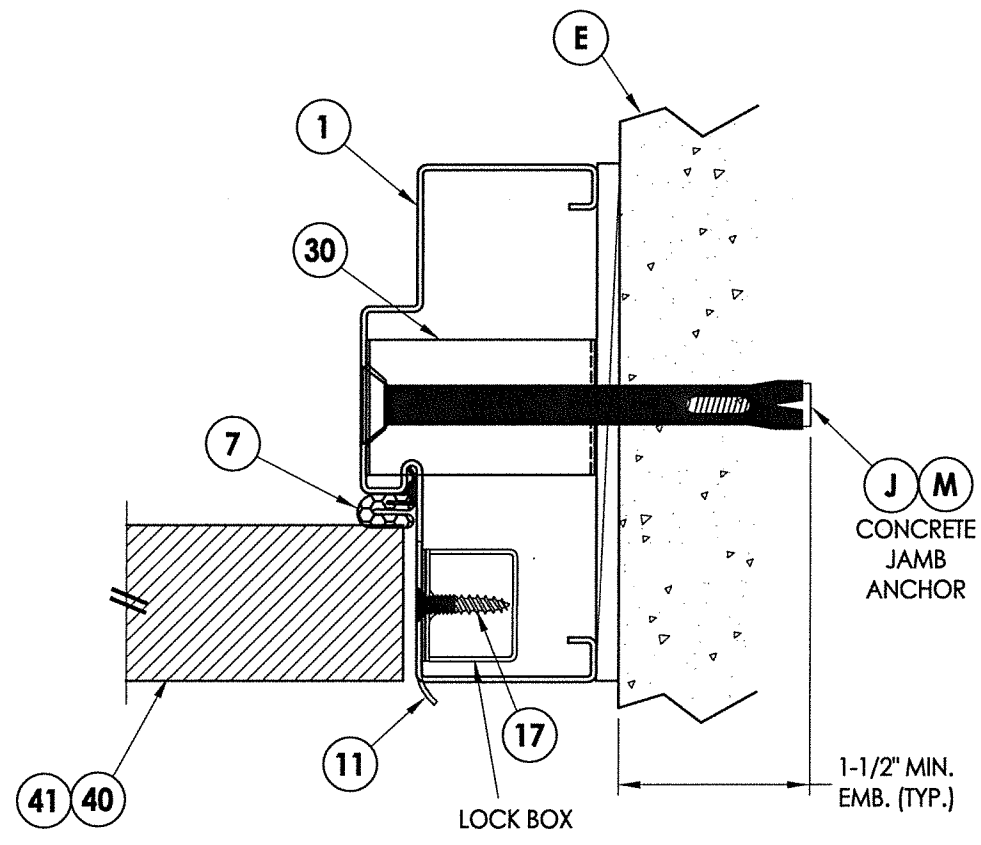
DATE:	10/13/20
SCALE:	N.T.S.
DWG. BY:	RW
CHK. BY:	LFS
DRAWING NO.:	FL-9231.6
SHEET	4 OF 7



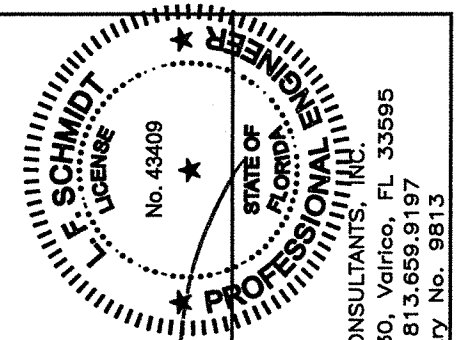
**1**  
**5** **HORIZONTAL CROSS SECTION**  
Shown w/ Wood Stud Anchor

EXTERIOR

INTERIOR



**2**  
**5** **HORIZONTAL CROSS SECTION**  
Shown w/ Concrete Jamb Anchor



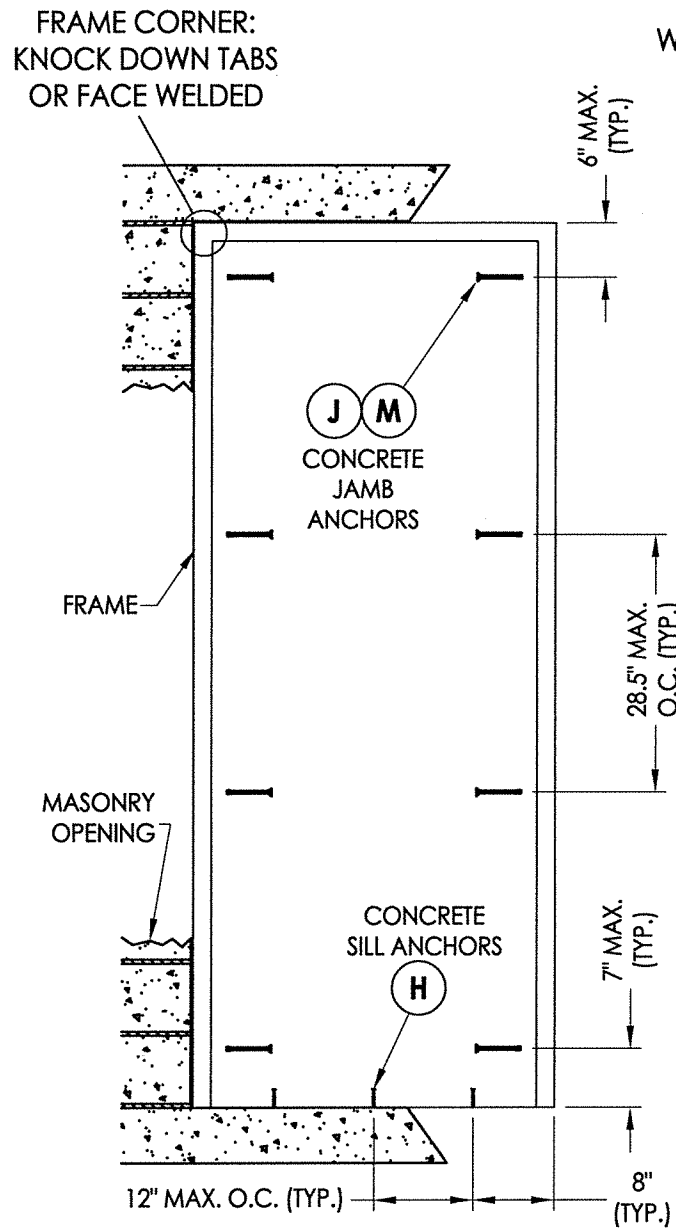
*LFS*

November 4, 2020  
Documents Prepared By:  
Lyndon F. Schmidt  
P.E. No. 43409

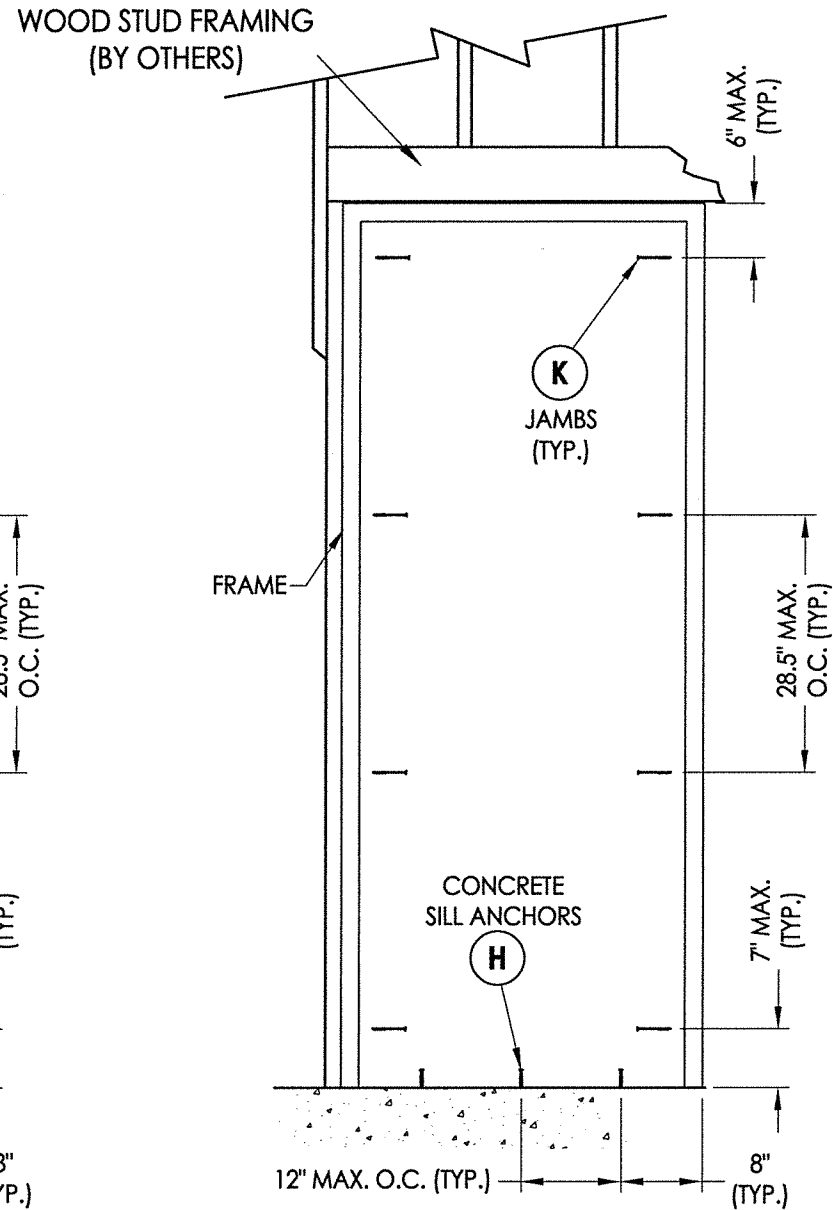
**R.W.** BUILDING CONSULTANTS, INC.  
P.O. Box 230, Valrico, FL 33595  
Phone No.: 813.659.9197  
FBPE Registry No. 9813

PRODUCT:		DUNBARTON
PART OR ASSEMBLY:		HORIZONTAL CROSS SECTIONS
NO.		BY
DATE		REVISIONS
DATE: 10/13/20		
SCALE: N.T.S.		
DWG. BY: RW		
CHK. BY: LFS		
DRAWING NO.: FL-9231.6		
SHEET 5 OF 7		

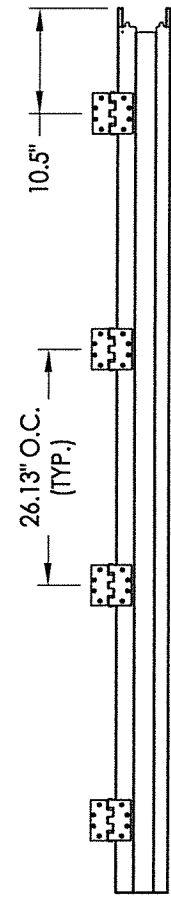
R:\Clients\Dunbarton Permanent\A - Florida Product Approvals\FL-9231 - Swinging Ext Doors - Rediframe PD\C - Drawings\FL-9231 (2020)\FL-9231.6.dwg, 6.3



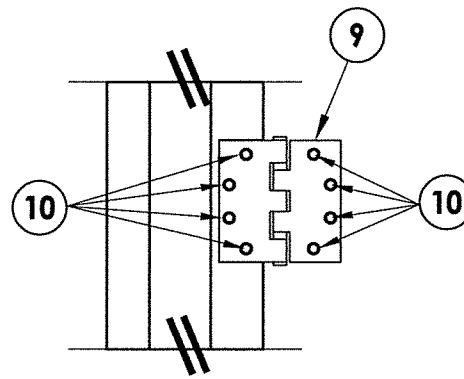
**FRAME ANCHORING**  
Masonry Construction  
Concrete Anchors



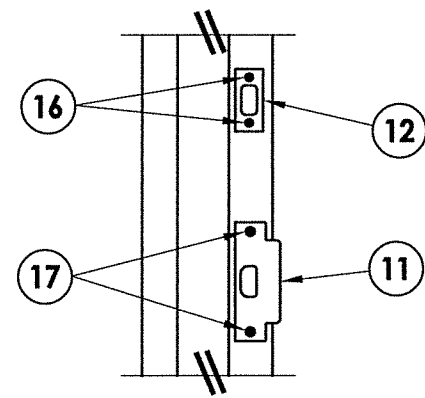
**FRAME ANCHORING**  
Wood Stud



**HINGE JAMB**



**HINGE DETAIL**

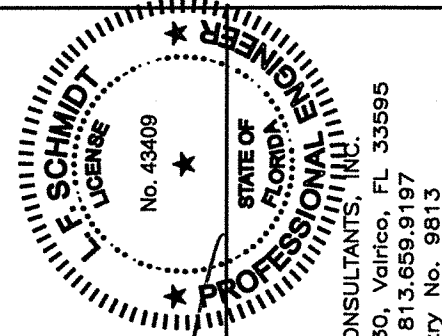


**STRIKE DETAIL**  
Latch & Deadbolt

**CONCRETE ANCHOR NOTES:**

- Concrete screw locations at the corners may be adjusted to maintain a minimum 1" edge distance to mortar joints. If concrete screw locations noted as "MAX. O.C." must be adjusted to maintain the minimum edge distance to mortar joints, additional concrete screws may be required to ensure the maximum on center dimension is not exceeded.
- Concrete anchor table:

ANCHOR TYPE	ANCHOR LOCATION	ANCHOR SIZE	MANUFACTURER	MIN. EDGE DISTANCE	MIN. EMBEDMENT
CONCRETE ANCHOR SCREW	JAMBS	3/8"	LDT TAPCON® (ITW BUILDEX)	3"	1-1/2"
	SILL	1/4"	TAPCON® (ITW BUILDEX) ULTRACON+® (DeWALT)	2-1/2"	1-3/4"
CONCRETE SLEEVE ANCHOR	JAMBS	3/8"	DYNABOLT SLEEVE ANCHOR® (ITW REDHEAD)	2-1/4"	1-1/2"



November 4, 2020  
 Documents Prepared By:  
 Lyndon F. Schmidt  
 P.E. No. 43409  
**RW**  
 BUILDING CONSULTANTS, INC.  
 P.O. Box 230, Valrico, FL 33595  
 Phone No.: 813.659.9197  
 FBPE Registry No. 9813

PRODUCT:	DUNBARTON
PART OR ASSEMBLY:	FRAME ANCHORING
NO.	DATE
BY	
REVISIONS	

DATE: 10/13/20  
 SCALE: N.T.S.  
 DWG. BY: RW  
 CHK. BY: LFS  
 DRAWING NO.: FL-9231.6  
 SHEET 6 OF 7

